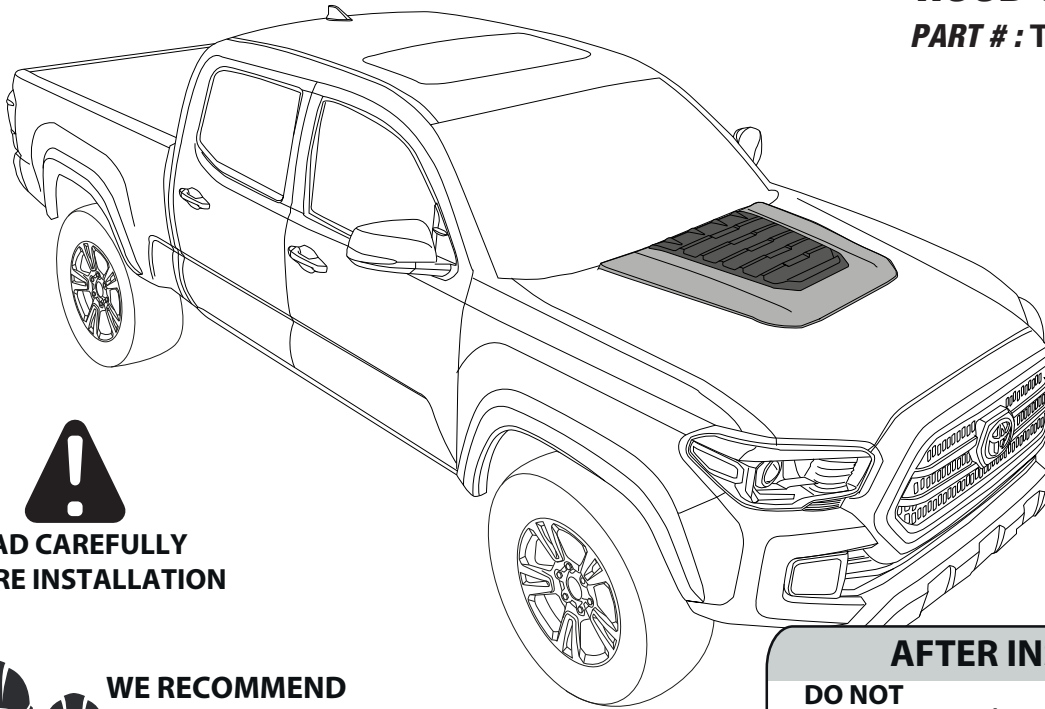


INSTALLATION MANUAL

HOOD SCOOP

PART #: TO02A01



**READ CAREFULLY
BEFORE INSTALLATION**



**WASH BEFORE
INSTALLING**



**WE RECOMMEND
2 PERSONS FOR
INSTALLATION**

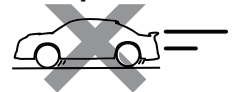
AFTER INSTALLING

**DO NOT
WASH CAR**

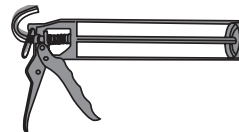


24 hrs

**DRIVE SLOWLY
25 mph max**

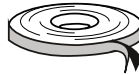

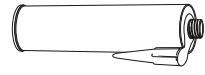



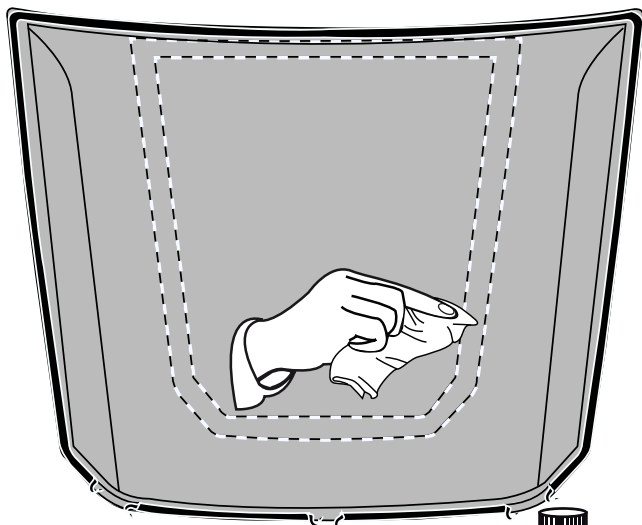
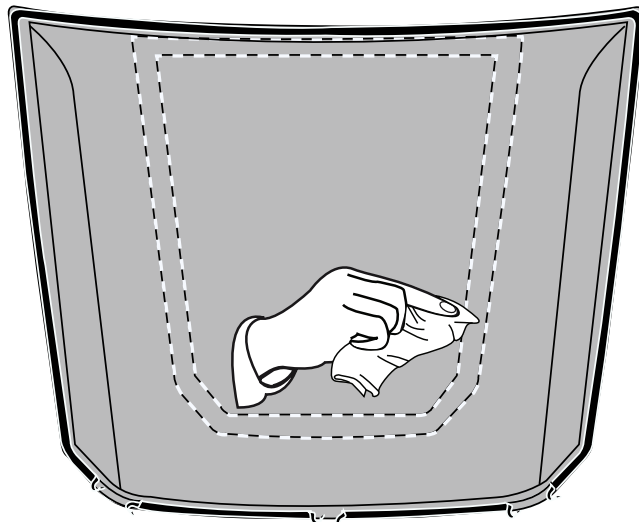
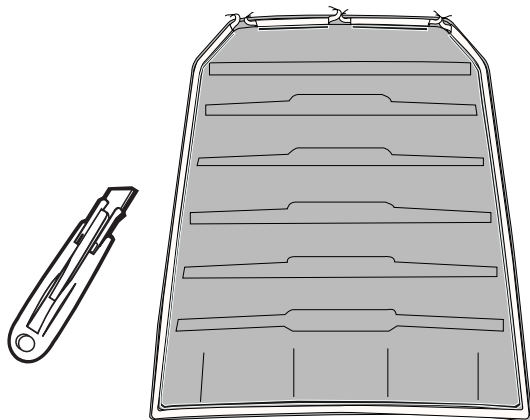
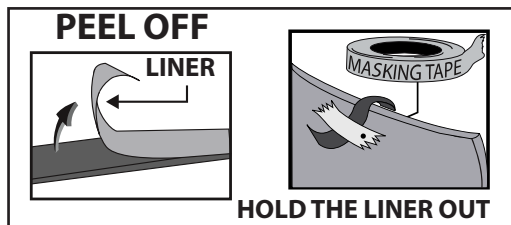
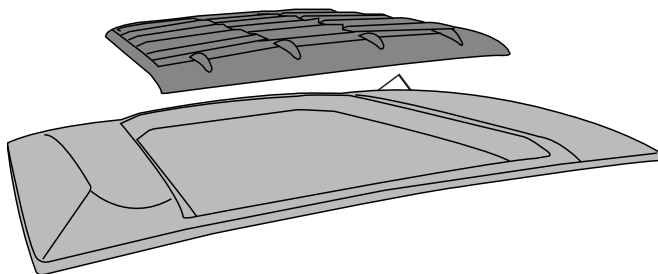
TOOLS



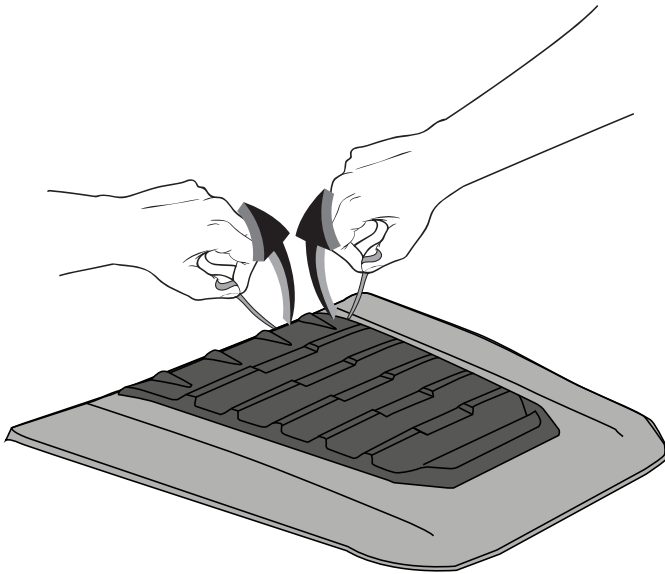
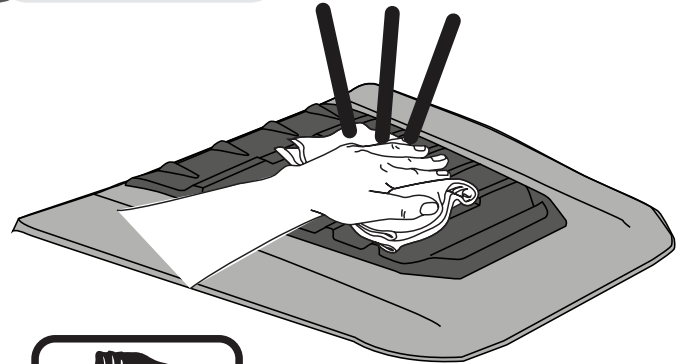
CHECK LIST

**Already installed in the part*

ITEM	DESCRIPTION	DRAWING	AMOUNT
A	*VHB TAPE		N/A
B	GREASE PENCIL		1 pc
C	POLYURETHANE ADHESIVE		1 pc
D	BLACKOUT		1 pc

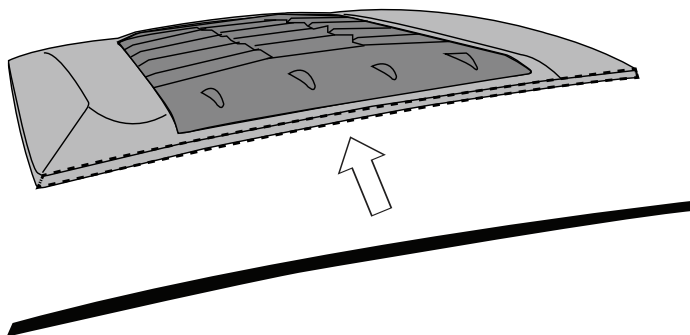
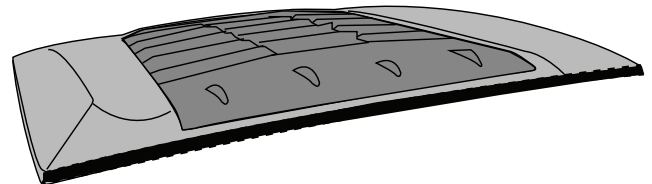
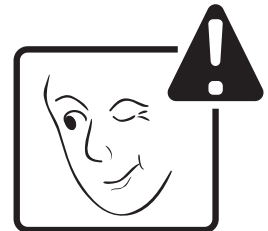
INSTALLATION MANUAL
1 CLEAN

2 ADHESION PROMOTER

3 PEEL

4 PLACE


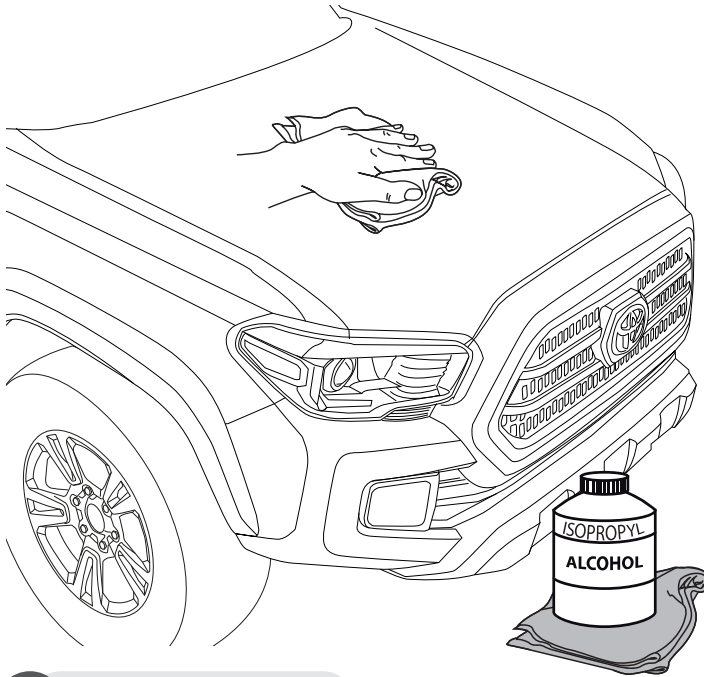
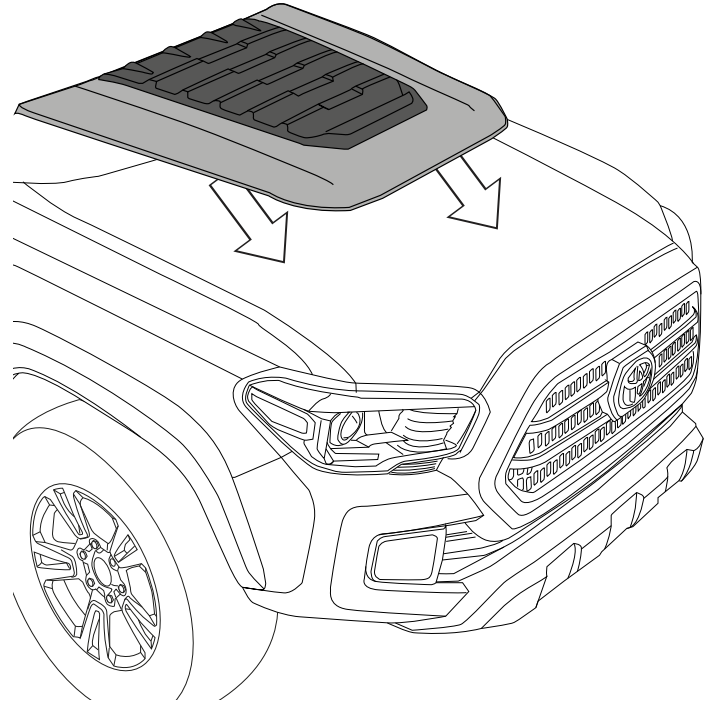
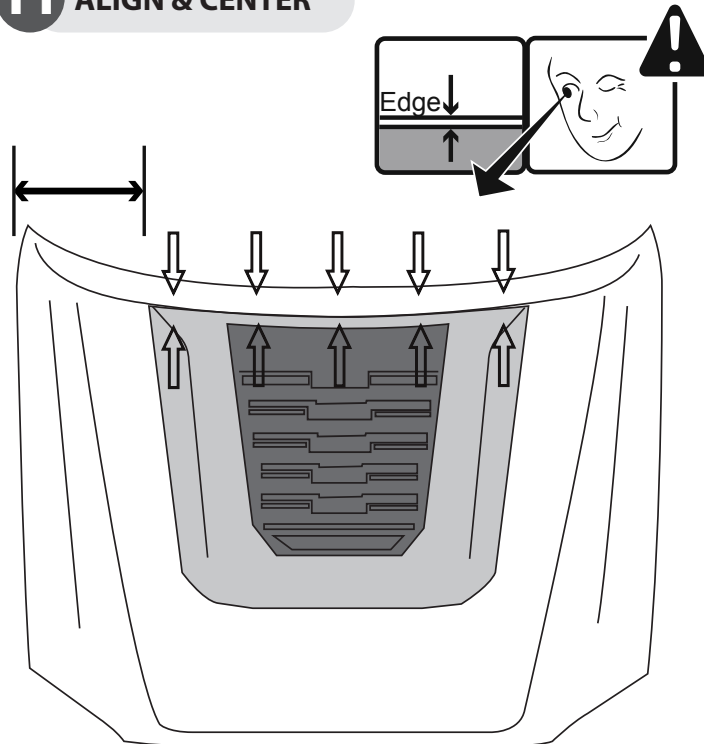
A full surface contact between tape and substrate is decisive for good adhesion performance. Contact is achieved by applying pressure. In practice a pressure between 40 and 50 N/cm² is usually needed and an application temperature between 25 and 45 °C or 77 and 113 °F is also necessary. During application, add-on parts and tapes must have the similar temperature.

INSTALLATION MANUAL
5 REMOVE LINER

6 PRESS FIRMLY

 $40-50 \text{ N/cm}^2$
7 PRE-MOUNT BLACKOUT
STEPS:

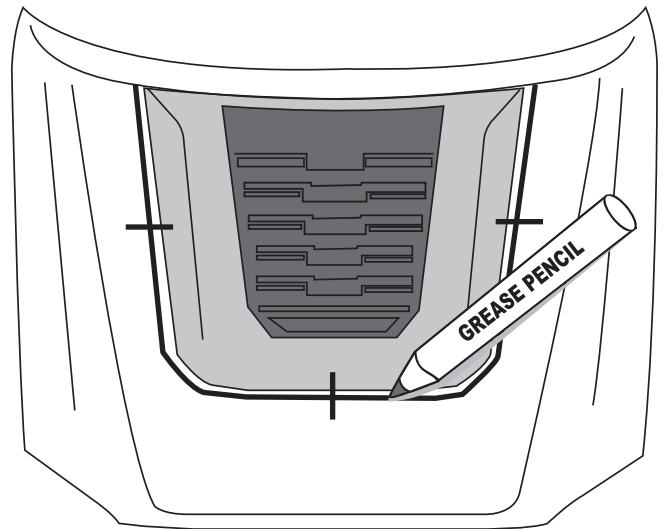
1. CLEAN SURFACE WITH ALCOHOL
2. APPLY WATER TO SCOOP AND STICKER
3. PLACE & PRESS

THIS ELIMINATE GLARE CAUSED BY REFLECTED LIGHT.


8 PLACE BLACKOUT


INSTALLATION MANUAL
9 CLEAN

10 PRE-MOUNT

11 ALIGN & CENTER

12 MARK

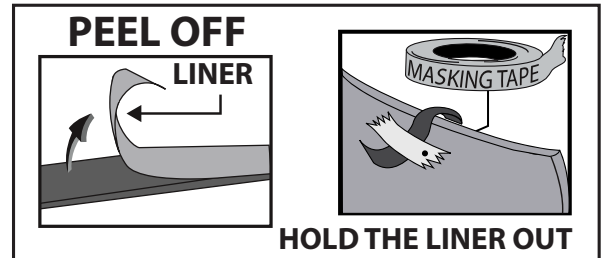
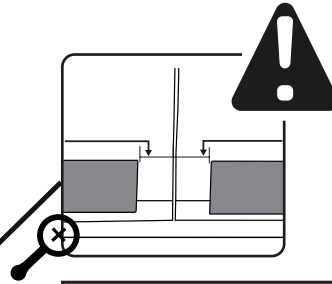
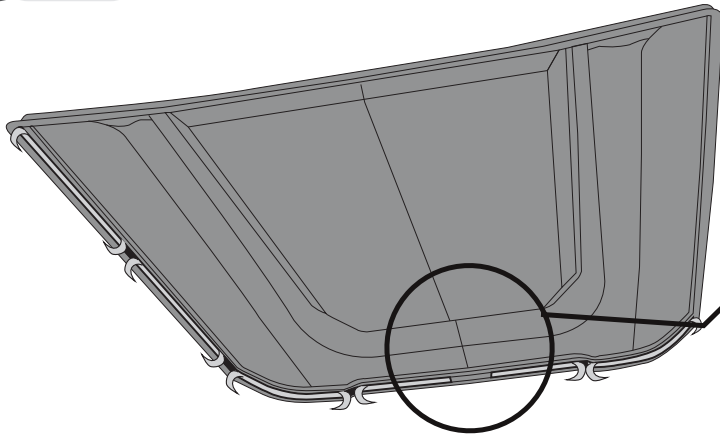
DRAW CENTER HASH MARK WITH GREASE PENCIL ON HOOD SCOOP AND SHEET METAL, THIS WILL ENSURE HOOD SCOOP WILL BE CENTERED TO GREASE PENCIL OUTLINE.



INSTALLATION MANUAL

13 PEEL

WARM SURFACES WITH HEAT GUN IF SURFACE TEMPERATURE IS TOO COLD.



HOLD THE LINER OUT



A full surface contact between tape and substrate is decisive for good adhesion performance. Contact is achieved by applying pressure. In practice a pressure between 40 and 50 N/cm² is usually needed and an application temperature between 25 and 45 °C or 77 and 113 °F is also necessary. During application, add-on parts and tapes must have the similar temperature.

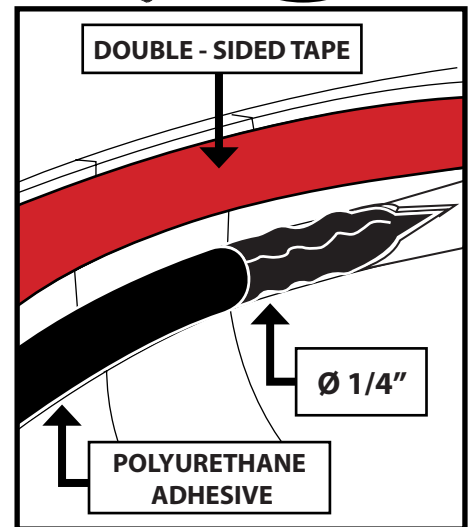
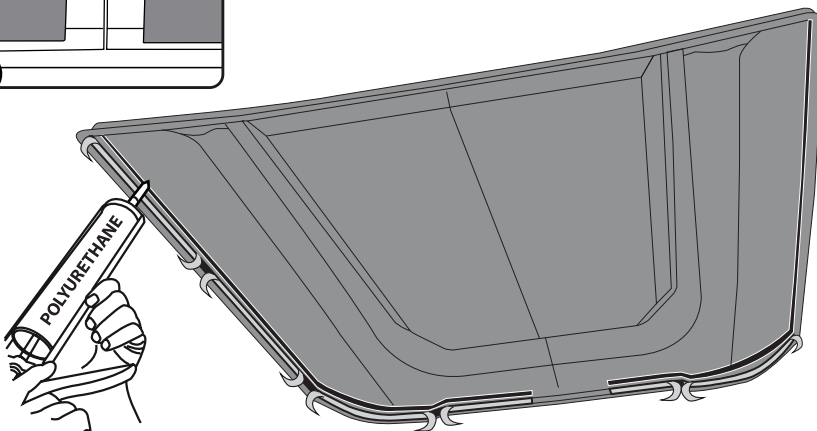
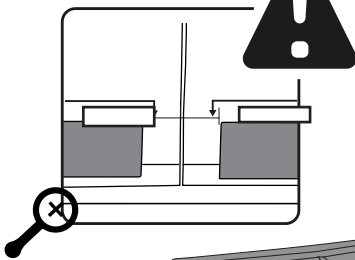
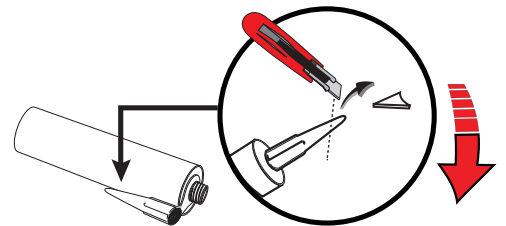
14 APPLY POLYURETHANE ADHESIVE

WATER DRAIN
KEEP OPEN WITHOUT ADHESIVE

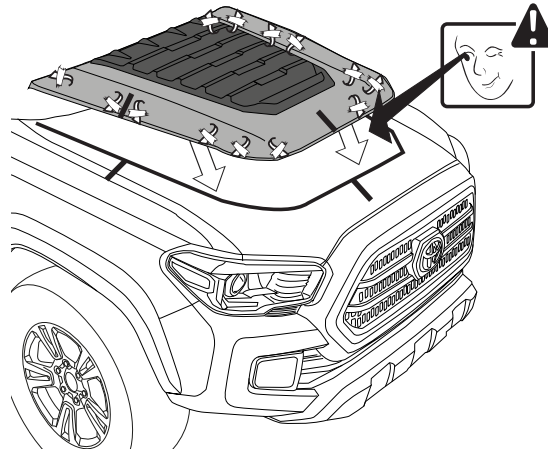
Keep the indicated separation 1"



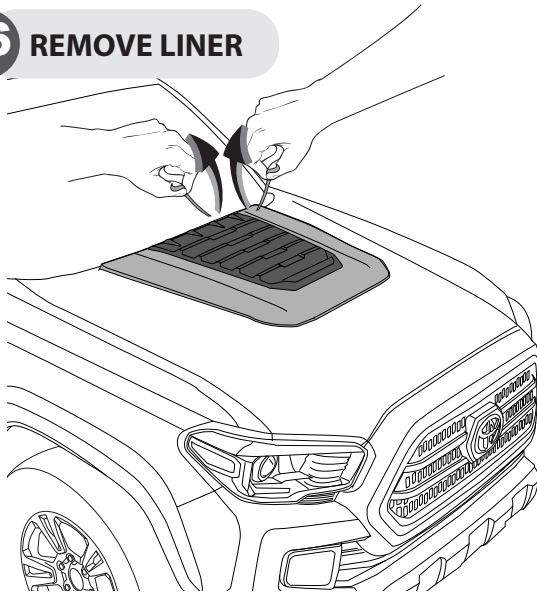
POLYURETHANE ADHESIVE MUST NEVER TOUCH THE DOUBLE SIDED TAPE



15 PLACE



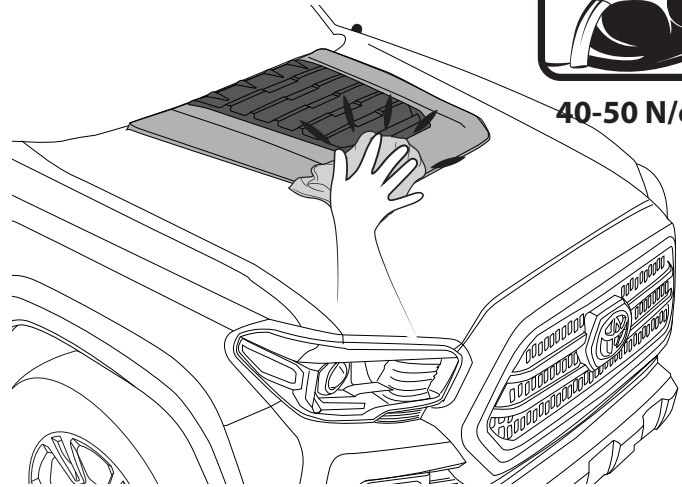
16 REMOVE LINER



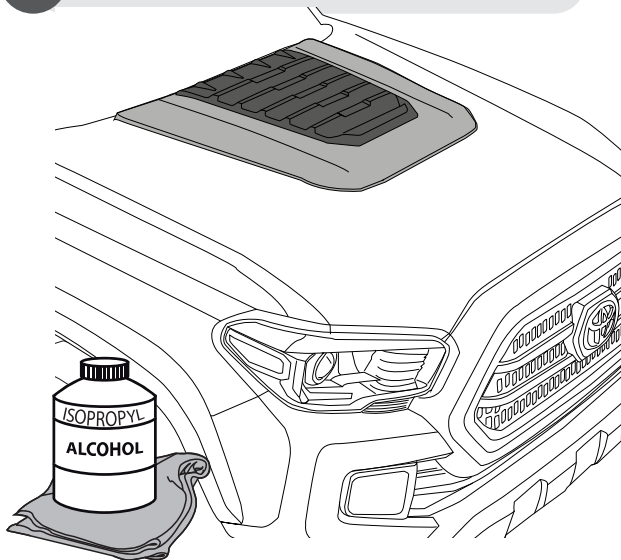
17 PRESS FIRMLY



40-50 N/cm²



18 CLEAN OFF GREASE PENCIL MARK



INSTALLED PART

